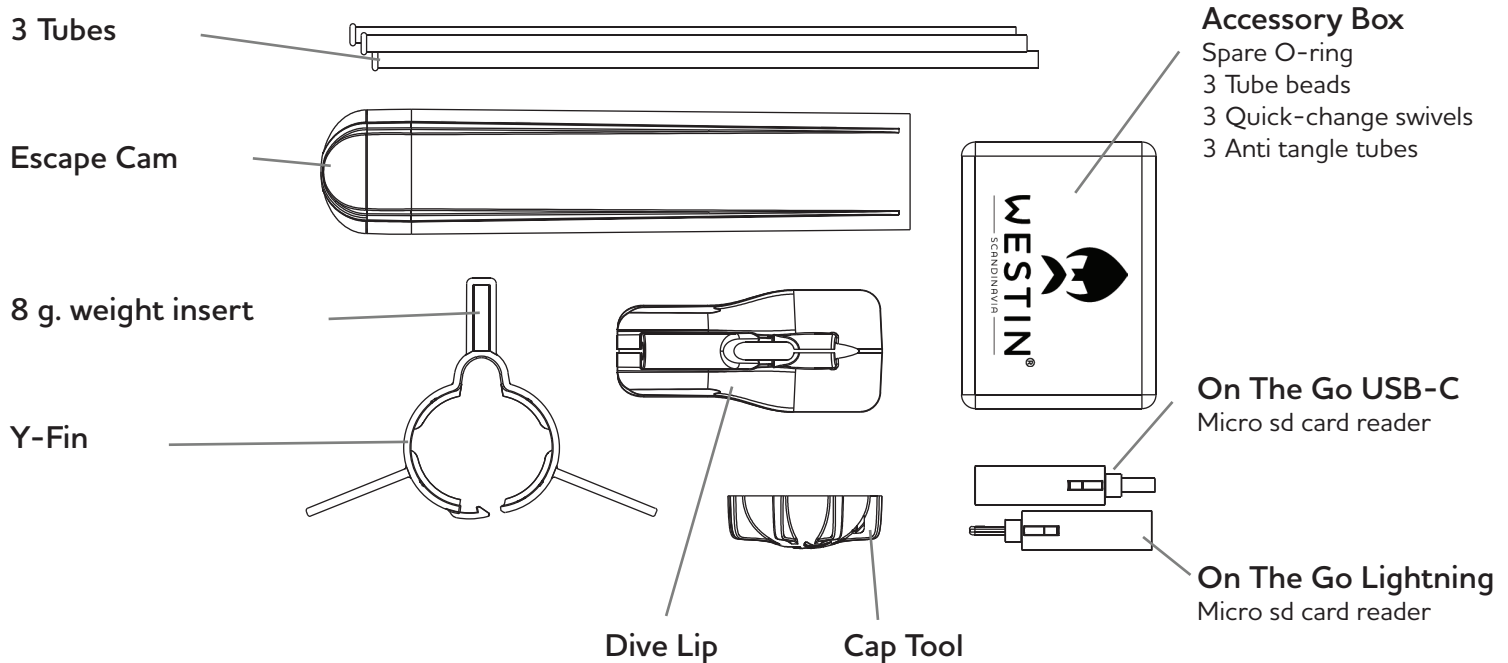


# Westin Escape Cam user manual

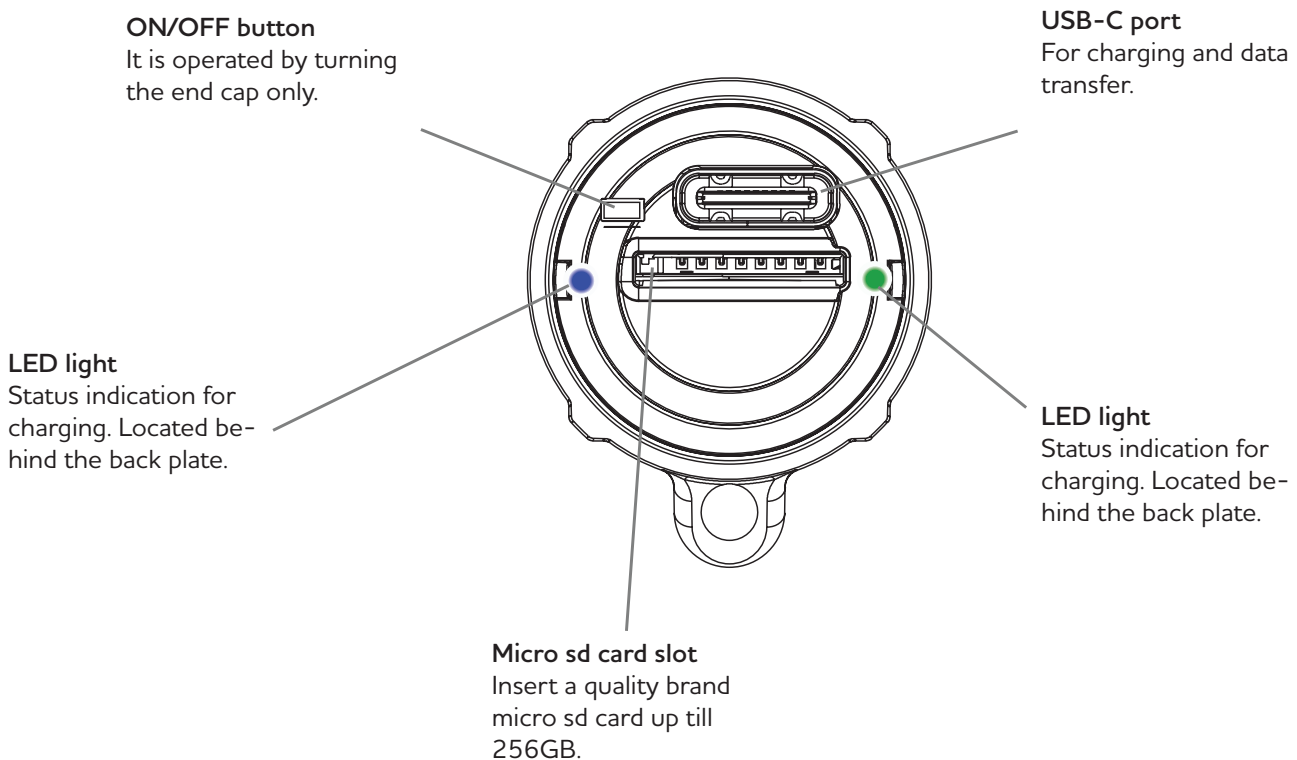
Congratulations on your purchase of our Westin Escape Cam! Before you start using it, we kindly ask you to take a few moments to read this user manual.

## 1. What's in the box?



## 2. Under the end cap

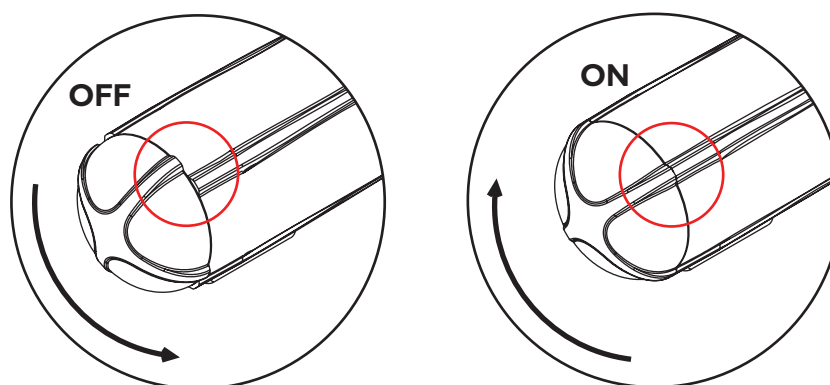
First remove the end cap by twisting it counterclockwise. Use the Cap Tool if it is hard to turn. To avoid damage please do not use your teeth or any random tools.



### 3. How to record video

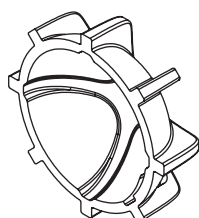
Before first time use, please follow these steps:

1. Make sure the camera's battery is fully charged. Do this by removing the end cap and inserting the USB-cable in the USB-C port on the back of the camera and connecting it to a suitable charger. The camera will boot up showing a series of flashes and then a solid blue light will indicate the camera is charging. When the blue light turns off the camera is fully charged.
2. Insert a micro sd card with a speed rating of C10, U1, V10 or better. This is printed on the micro sd card. The card must be formatted as Ex-fat. The side with the print must face down when inserting the card into the micro sd card slot.
3. To start recording put the end cap back on and turn it clockwise until the lines on the camera line up with the lines on the end cap. Through the end cap it is possible to see the camera LED light. The camera will boot up flashing red for 5 seconds, then slowly blink in either green, yellow, or red, depending on battery status. The camera is now recording.
4. To stop recording turn the end cap counterclockwise so it does not line up. You do not need to remove the end cap to stop recording, simply turn it slightly, this way the camera is still waterproof when turned OFF.



Please store the camera with the end cap in the OFF position

When the end cap has not been turned for a longer period, the first time turning it can be hard. In this case, use the Cap Tool. If the end cap keeps being hard to turn apply a little silicone grease directly on the O-ring. This will make it turn smoothly again. Do not use oil or any other lubricants.



If you cannot turn the end cap by hand, use the Cap Tool. Make sure you push the tube forward, so it is not in the way of turning the Cap Tool.

#### Important!

During recording remember to check if the camera is running by having a glance at the LED. It is aggravating to learn the camera was out of battery after you caught a nice fish!

## 4. LED Lights explained

The camera has two LED lights one in each side. They are visible through the end cap.

### Charging the camera

The camera led will flash red indicating that the camera is booting up. The charging LED will display a solid blue light during charging. When the camera is charged to 100% it will turn off.

### Turning the camera ON

The camera LED will flash red for five seconds indicating that the camera is booting up.

### Recording video

If an sd card is present the camera LED will slowly flash in the color corresponding to the state of charge.

### No sd card inserted

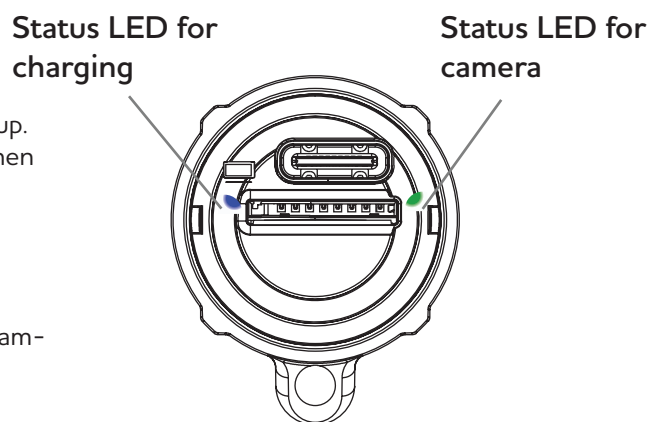
The camera LED will flash red indicating that the camera is booting up. Then a series of blue and red flashes will follow, finally the camera will turn off.

### Turning the camera OFF

When the camera is turned off it will flash red indicating that the recorded video is being saved on the sd card. Do not eject the sd card before the file is saved! When the camera LED is off you can eject the sd card.

### Connecting camera to computer

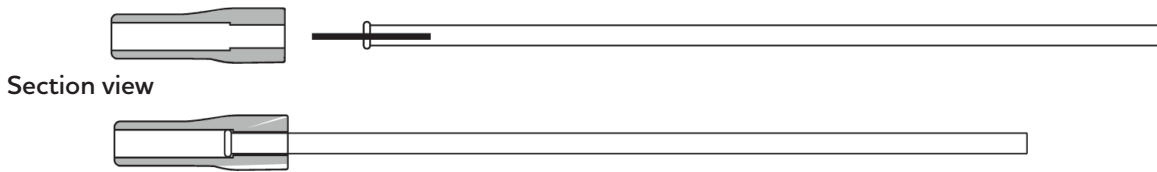
The camera LED will flash red indicating that the camera is booting up. The charging LED will display a solid blue light indicating that it is charging. When the camera is found by the computer the camera LED will display a solid blue light.



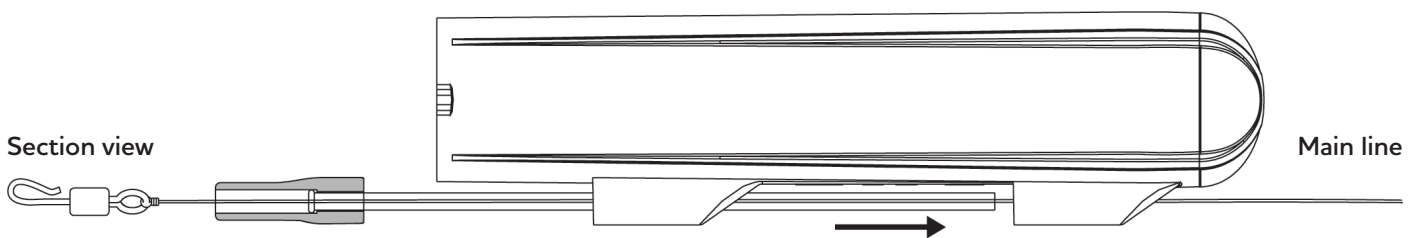
- Green indicates 100 to 80% charge.
- Yellow indicates 80 to 20% charge.
- Red indicates 20 to 1% charge.

## 5. Basic mounting of the camera

1. The tube end with the rim is pushed into the tube bead until it clicks in place. This only needs to be done once.



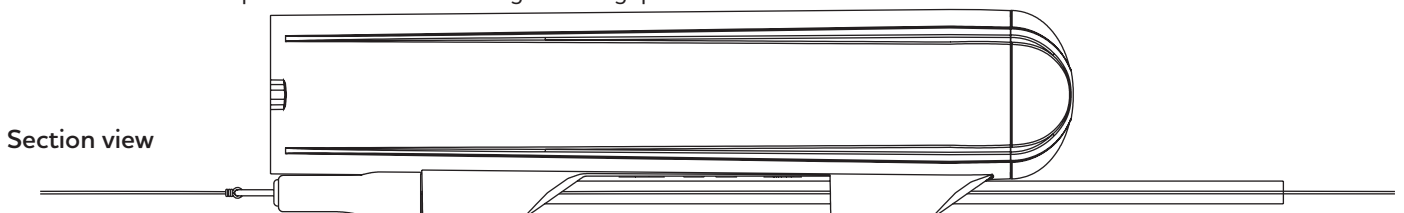
2. Thread your mainline through the tube guides on the camera. Then thread the mainline through the tube and tube bead. Tie the main line to the eye of the swivel.



3. Slide the tube through the tube guides so the rubber bead is flush with the tube guide. Make sure the rubber bead has the flat side resting against the bottom of the camera. Then attach the leader to the quick change hook on the swivel. Either as a loop or tying it on. Now pull the swivel into the rubber bead leaving the hook part protruding so it is free to turn.



4. When casting with light lures use the anti tangle tube found in the accessory box, to avoid tangles. The anti tangle tube is slid over the hook part of the swivel leaving a small gap so the swivel is able to turn.

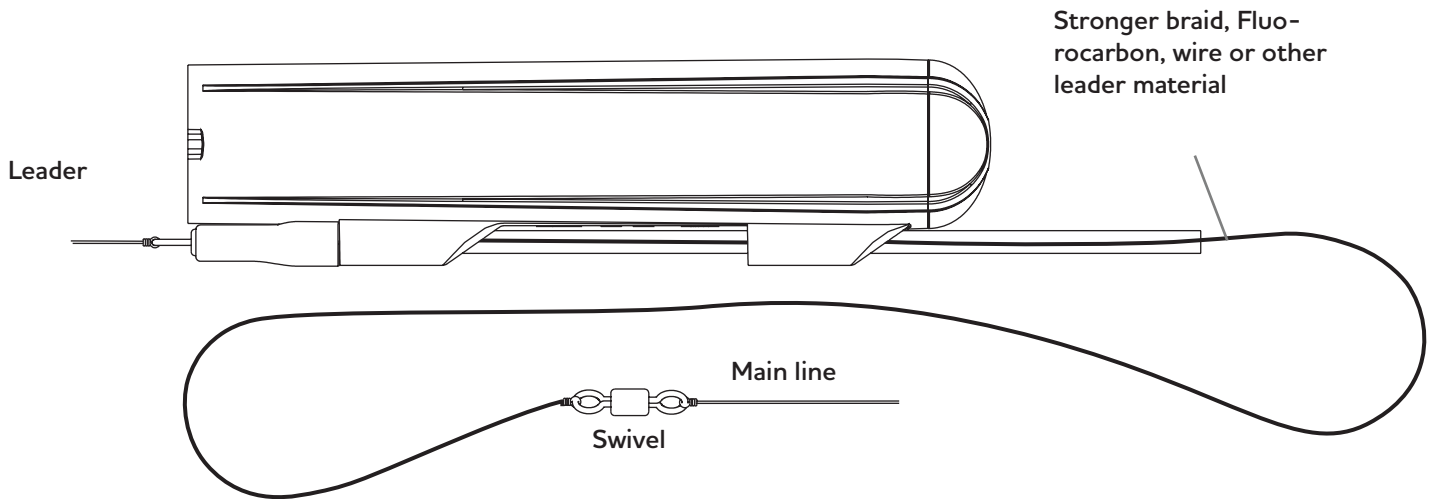


### Important!

Make sure your main line has a higher breaking strain than you leader. This way you can safely pull for a break in case the lure gets stuck.

## 6 Camera mounting

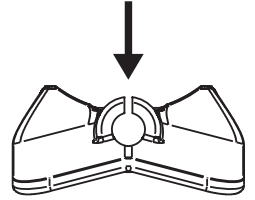
It can be time saving, and more practical to make a setup where there also is a swivel behind the camera. Used this way it is just a matter of tying a single knot, and the camera is ready to use. It is also useful when there is a risk of fish biting the camera where a longer length of wire will combat the risk of the line being bit off by a fish. The choice of material and the length of it can be optimized to fit the fishing situation.



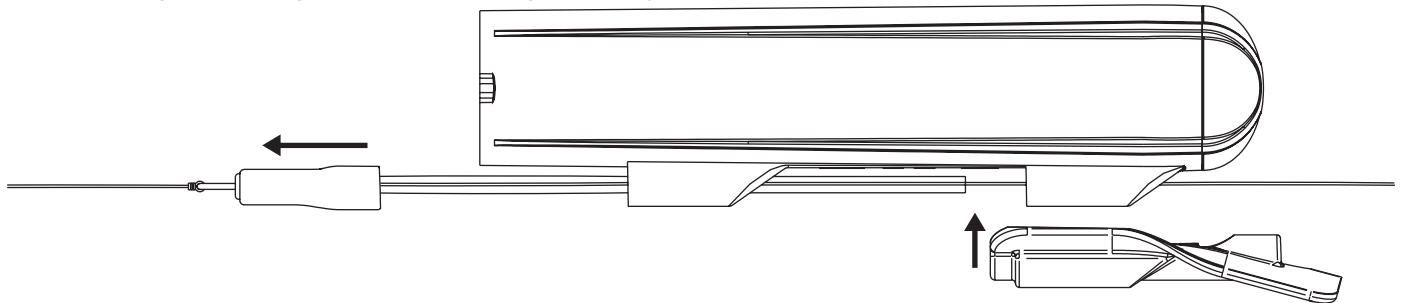
## 7. How and when to use the Dive Lip

The Dive Lip makes the camera dive and keeps it underwater during retrieve, much like the lip on a lure. It is mounted on the rear end of the camera and can be used on it's own or in combination with the Y-Fin. When mounted on it's own it makes the camera go deeper than when used together with the Y-Fin. Do some tests to see what suits the lure and style of fishing you are doing.

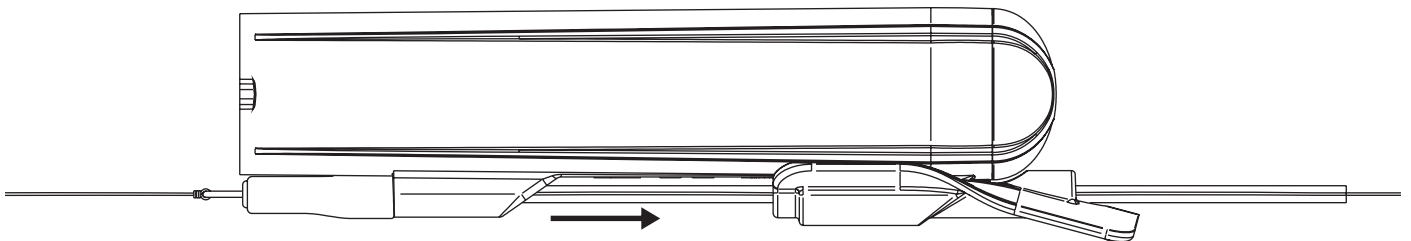
The slits in the front and back of the Dive Lip makes it possible to mount or remove the lip while the camera is attached to the line.



1. To mount the Dive Lip slide the tube forward until there is a gap large enough to fit the Dive Lip. Place the dive lip over the rear tube guide making sure the main line gets through the slits.



2. Slide the tube all the way back to lock the Dive Lip in place.



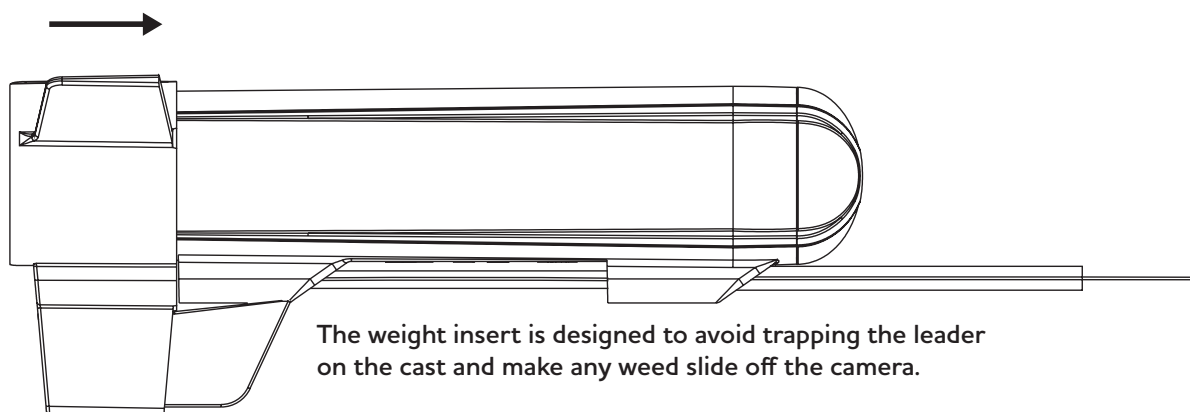
## 8. How and when to use the Y-fin

The Y-fin keeps the camera stable. This is especially true when using bigger lures or lures with an aggressive movement. When fishing at higher speeds is advisable to add the fin in order to get stable videos.

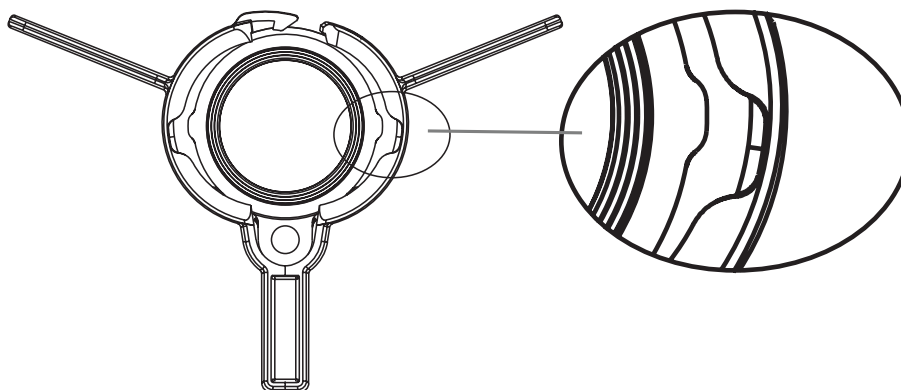
It is mounted on the front end of the camera and can be used on it's own or in combination with the Dive Lip. When mounted on it's own the camera is much higher up in the water than when used together with the Dive Lip. It needs to be fished slower to stay submerged but can be very helpful if fishing in shallow waters or in places where the weeds are close to the surface.

Again the best way to find out what suits the lure and style of fishing you are doing do some test casts with and without the Y-fin and review the footage to determine what works the best.

1. To mount the Y-fin open the lock on the top and pass the leader through the gap. Do not close the lock yet! Then slide the fin onto the camera until it comes to a stop.



2. Then make sure the two small protrusions on the sides of the camera line up with the matching recesses in the Y-fin, and now close the lock. It is a tight fit and needs the pressure of a thumb on the Lock to close with an audible click.



### Important!

When removing the Y-fin it is important to open the lock before removing the fin. If the Y-fin is just pulled off it can damage the fin.

## 9. View and share your videos On The Go

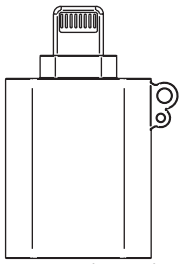
In the box are two On The Go micro sd card readers. One is a lightning type that fits Apple iPhones and iPads. The other is a USB-C that fits Android phones and tablets. It can also be used for Windows and Mac computers.

### Important!

All the below information may change when the operating system on a device is updated! To get the most correct information do a web search for “how to use OTG card reader on (insert device name)”

For all devices first eject the sd card from the camera and insert it into the card reader. The sd card can only fit one way so do not try to force it in.

Then plug the card reader into the charging/data port on your device. It may be necessary to remove the cover to insert it correctly. The led on the card reader must flash briefly just when it is inserted as an indication that the card is read.

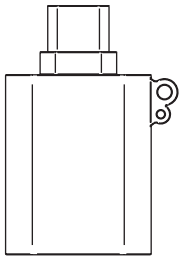


**On The Go Lightning**  
Micro sd card reader

### iPhone

Open the app named either “Files” or “archives”. This app is installed by default on every iPhone. In the app navigate to “locations” and you will find a drive icon with the name of your sd card. If you have not named your sd card it is named “Untitled”. Tap the drive and then the DCMI folder, here you have all the videos from the camera. Tap a file to open it. You can now play the video, share it, or save it to your chosen location.

To delete a file keep pressing the file name and a delete option will open.



**On The Go USB-C**  
Micro sd card reader

### Android

Your Android device should recognize it as external storage. A notification might appear indicating that a USB device is connected. Open your Android device’s file manager app. If you don’t have one pre-installed, you can download one from the Google Play Store. In the file manager, navigate to the location where external storage devices are listed. This could be labelled as “External Storage,” “USB Drive,” or something similar. Tap on it to access the contents of the sd card. You can now browse, open, copy, move, or delete files on your sd card, just like you would with any other file on your device.

### Windows and Mac computers

You need your PC to have a usb-c port to plug in the card reader. Once the sd card reader is recognized by your PC, you should be able to access the sd card’s contents. You can usually find it in the File Explorer (Windows) or Finder (macOS) under “This PC” or “Devices.” You can now copy, move, or delete files to and from the sd card using your PC’s file management system as you normally do.



## 10. Connect the camera to a PC

You can also connect the camera directly to a PC with the supplied cable. Once the camera is recognized by your PC, you should be able to access the sd card's contents. You can usually find it in the File Explorer (Windows) or Finder (macOS) under "This PC" or "Devices." You can now copy, move, or delete files to and from the sd card using your PC's file management system as you normally do

## 11. Changing the camera settings

All settings are stored in a file named "camera settings" on the sd card. This text file is generated by the camera when it is turned on with the sd card inserted. To change the camera settings open the file on a PC and follow the instructions in the file. You can set the following: Frames rate, Electronic image stabilization, and White Balance.

## 12. Maintenance

### Cleaning the camera

To clean the camera use a damp microfibre cloth. If need be, put the camera in lukewarm water to dissolve salt or dirt. Avoid using cleaning agents or chemicals.

### Cleaning the lens

To clean the lens use a soft microfibre cloth like the ones you use for cleaning sunglasses. Avoid using cleaning agents or chemicals.

### The O-ring

Regularly check the O-ring on your camera housing. The seal is crucial for keeping water out. Replace it if you notice any signs of wear, cracks, or damage. If the end cap starts to be hard to turn apply a little silicone grease directly on the O-ring. This will make it turn smoothly again.

## 13. How much video can the sd card hold?

How much space a video takes up depends to some extent on what is being filmed, the less different colors are in the video the less space it takes up. The chart below is our best estimate based on actual recordings. A card of 64GB is a good choice for most people as it makes sense to view and move the files after each use.

SD card size	Hours and minutes of 30 fps video
32	4.5 hours
64	9 hours
128	18 hours
256	36 hours

## 14. Camera specifications

<b>Weight</b>	40 g. /1.4 oz
<b>Dimensions</b>	106x22x27mm 4.2 x 0.9 x 1.1inch
<b>Video resolution</b>	1080p full HD
<b>Video frame rate</b>	30 or 60 fps
<b>Depth rating</b>	200m / 650 feet
<b>Battery life</b>	2.5 Hours in 30 fps (20°C / 68F)
<b>Battery capacity</b>	4,35V / 720 mAh
<b>Power supply</b>	DC 5V 1-5Av
<b>Interface</b>	USB-C for charging and data transfer
<b>Memory card</b>	32-256 GB Micro sd card